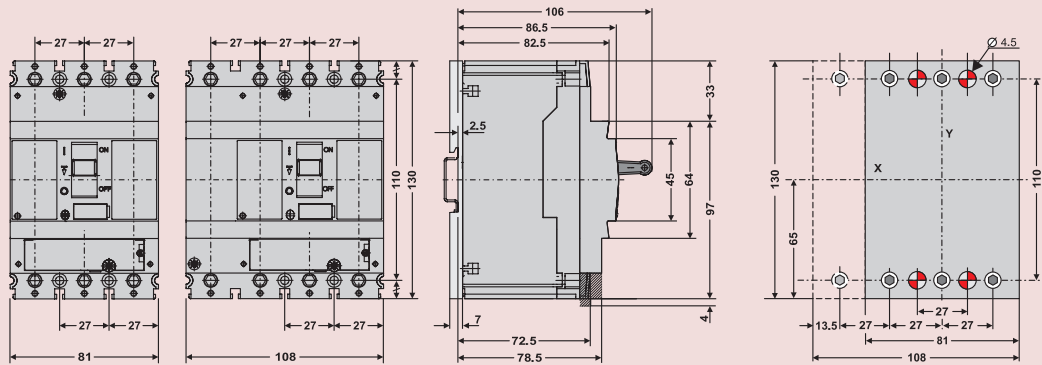
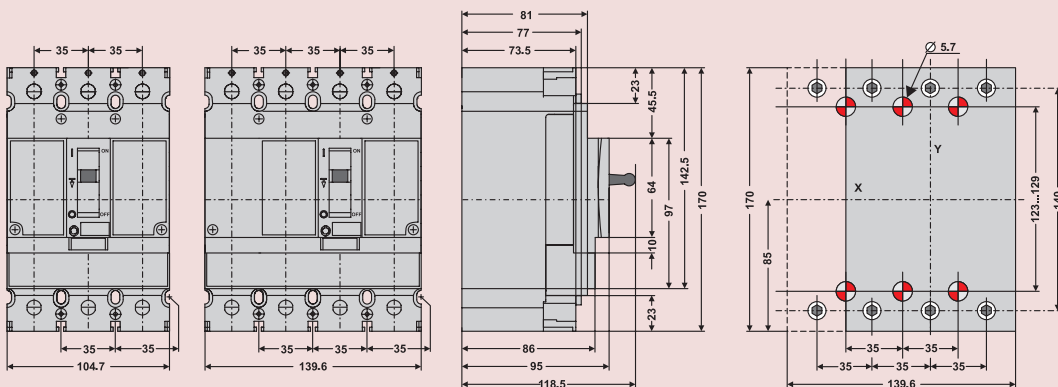


Dimensional Drawings

Breakers - FD63/160 fixed, front connected

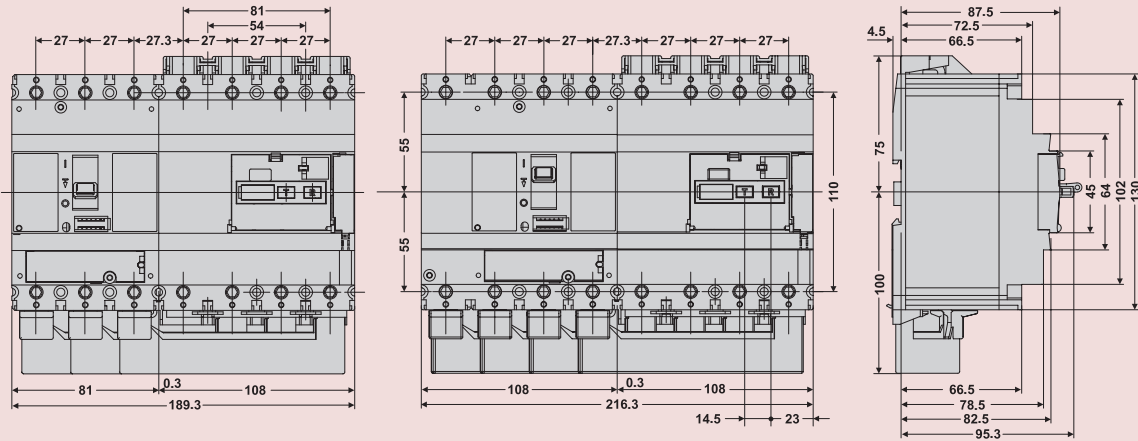


Breakers - FE160 and FE250 fixed, front connected

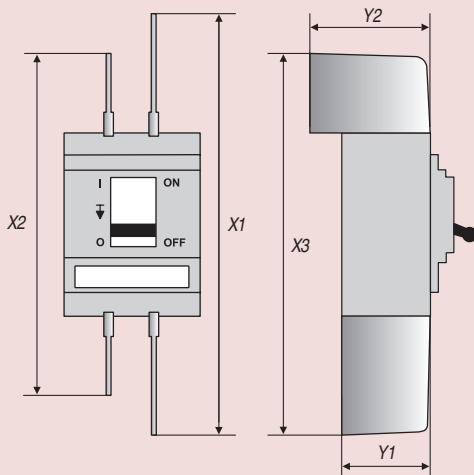


Dimensional Drawings

RCD side mounted - FD63/160



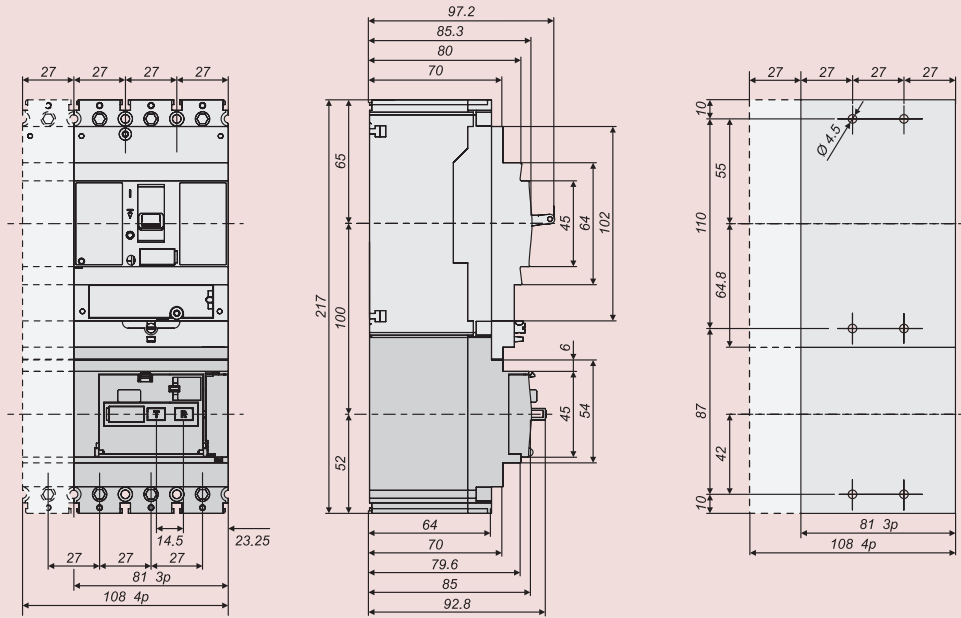
Breakers with phase separator - FD and FE frames



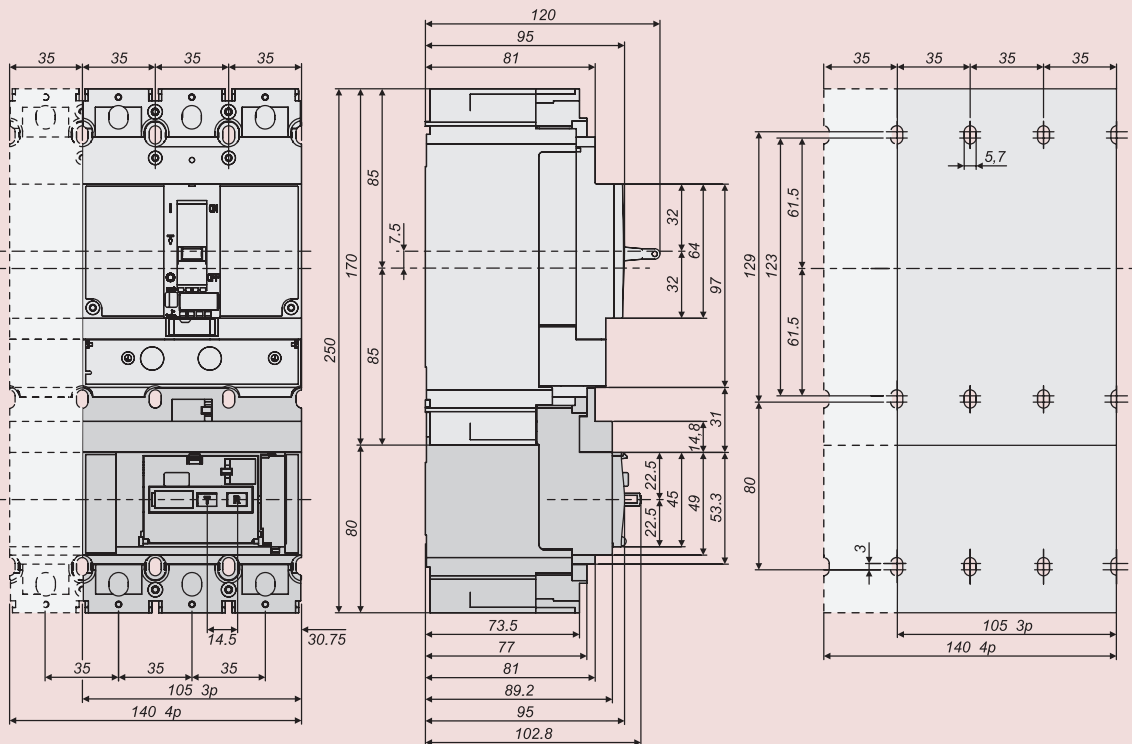
Dimensions		
	FD63 FD160	FE160 FE250
X1	330	410
X2	245	304
X3	287,5	357
Y1	63	72,5
Y2	105,5	126

Dimensional Drawings

RCD bottom mounted - FD63/160

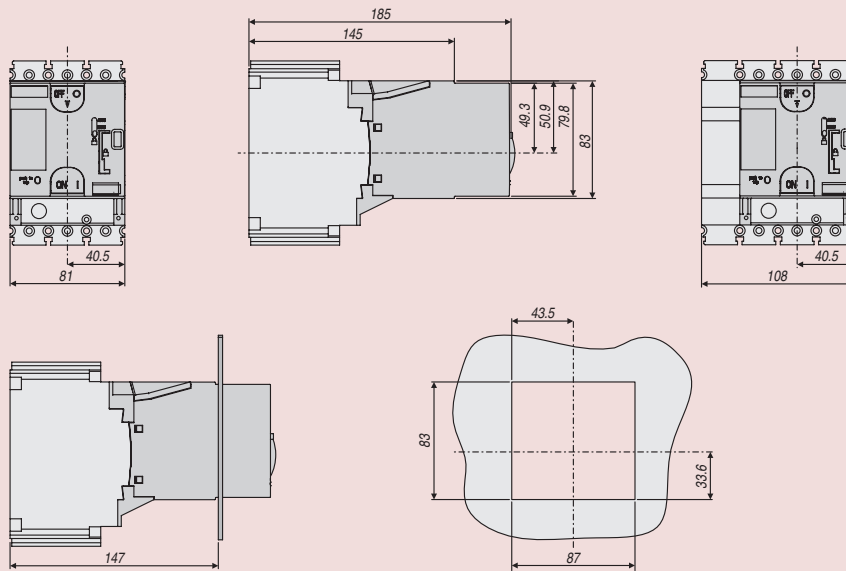


RCD bottom mounted - FE160 and FE250

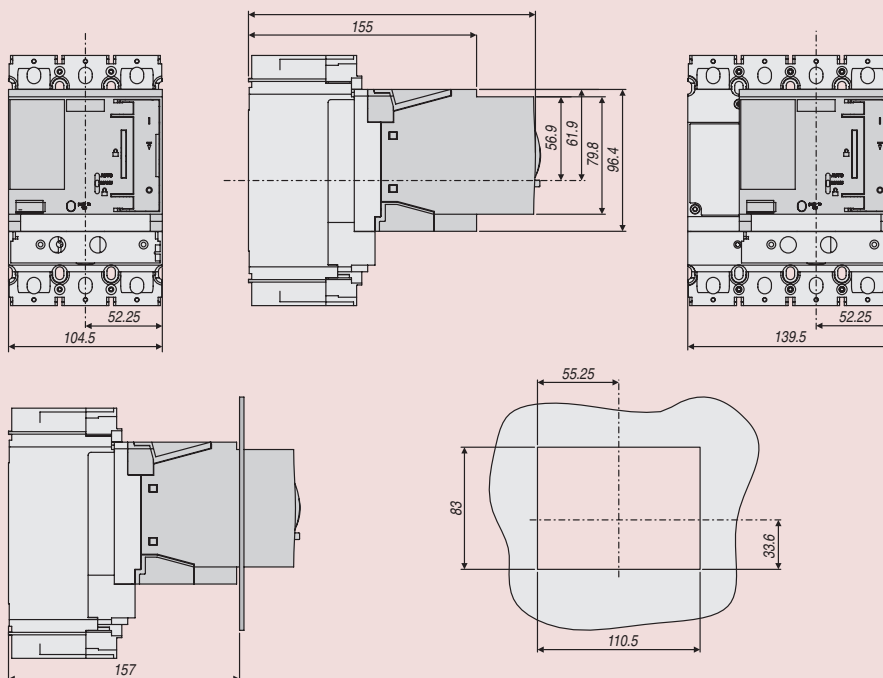


Dimensional Drawings

Breakers with electrical operator - FD63/160

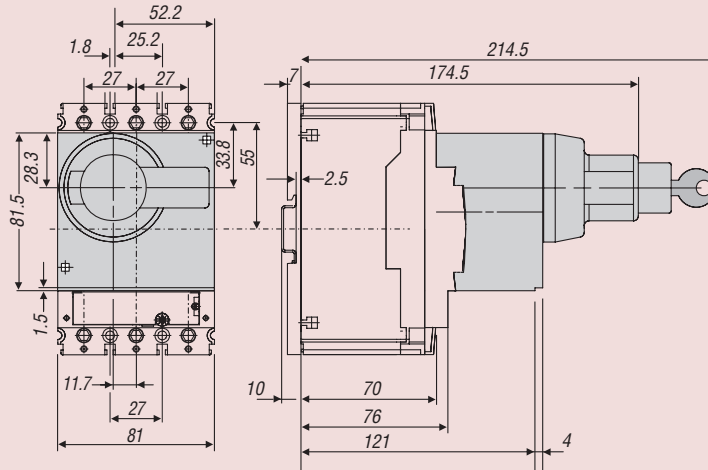


Breakers with electrical operator - FE160 and FE250

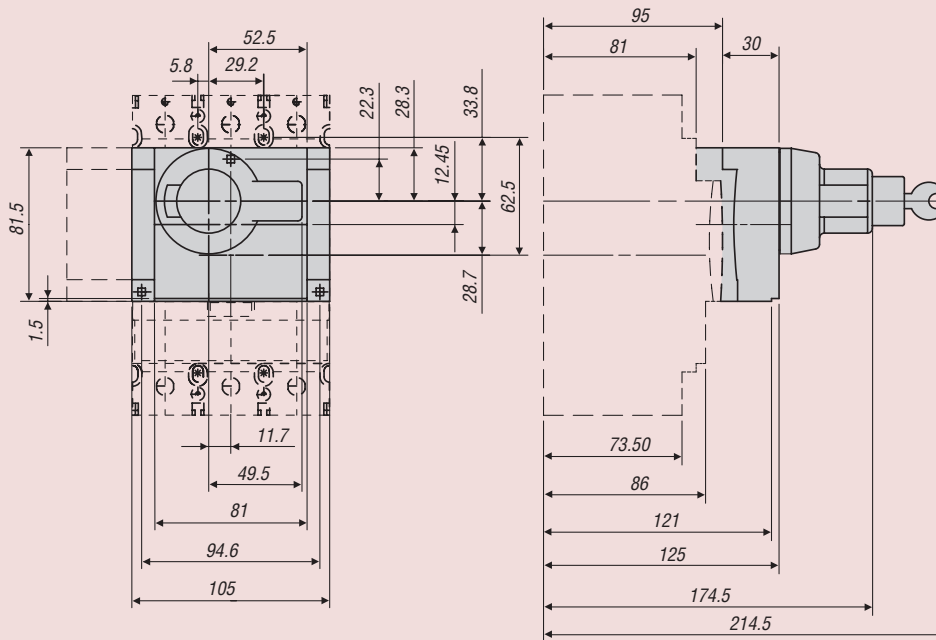


Dimensional Drawings

Rotary handle - Breaker and through panel mounted - FD63/160

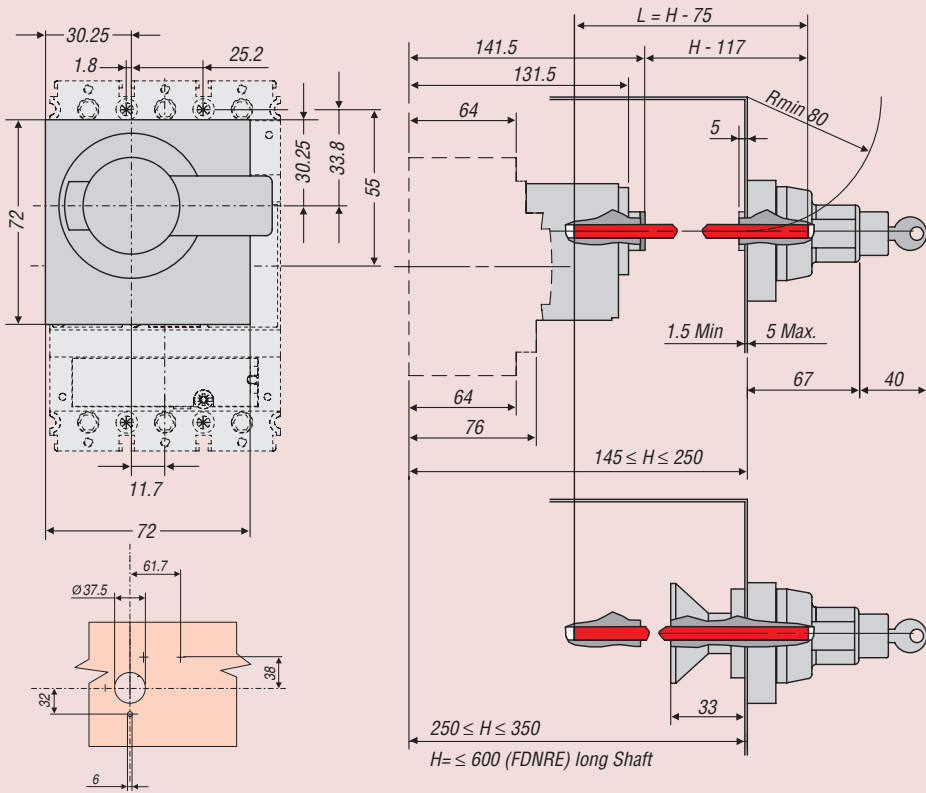


Rotary handle - Breaker and through panel mounted - FE160 and FE250

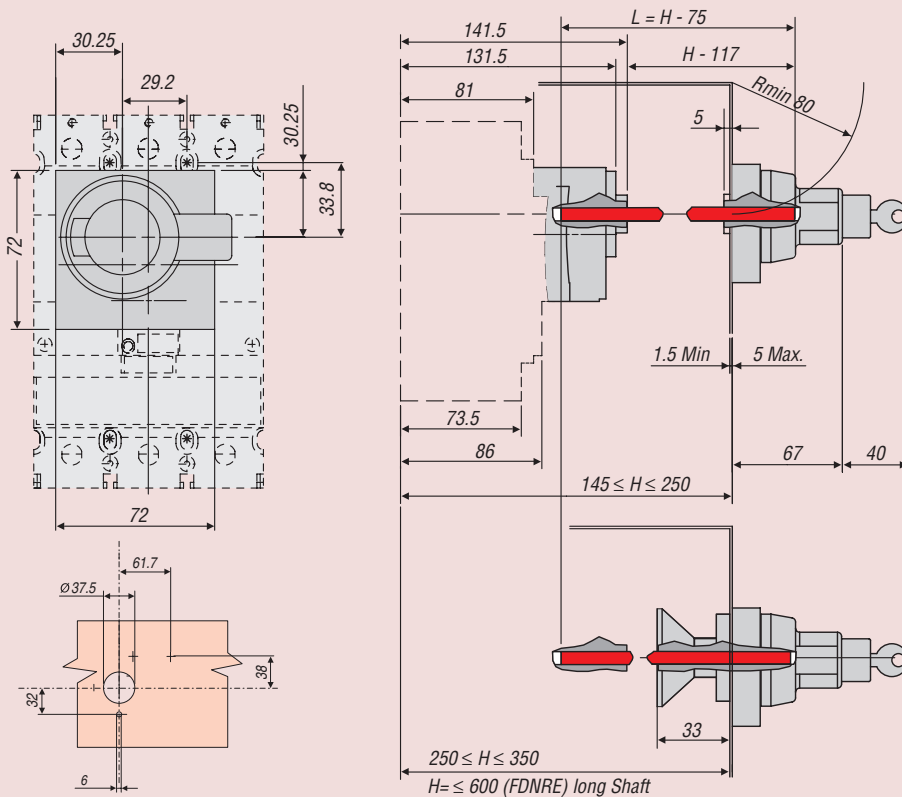


Dimensional Drawings

Rotary handle - Door mounted FD63/160

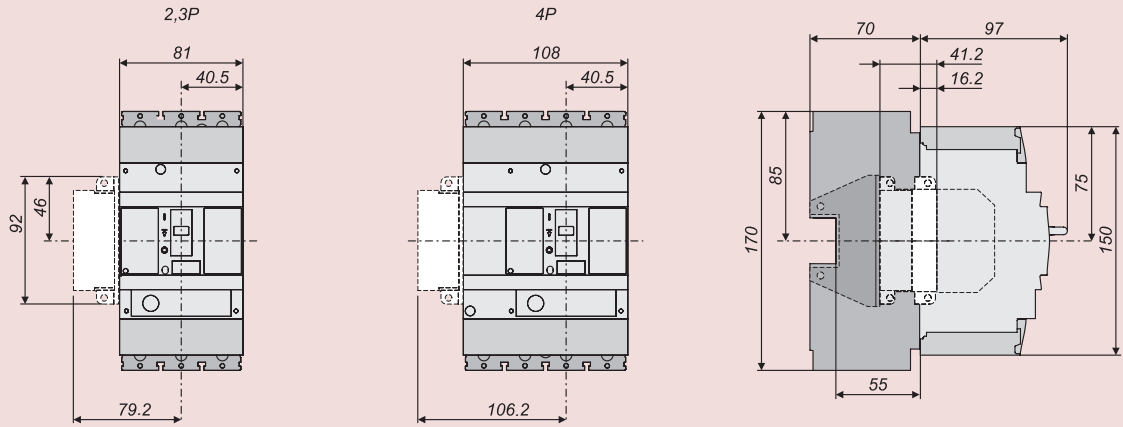


Rotary handle - Door mounted - FE 160 and FE250

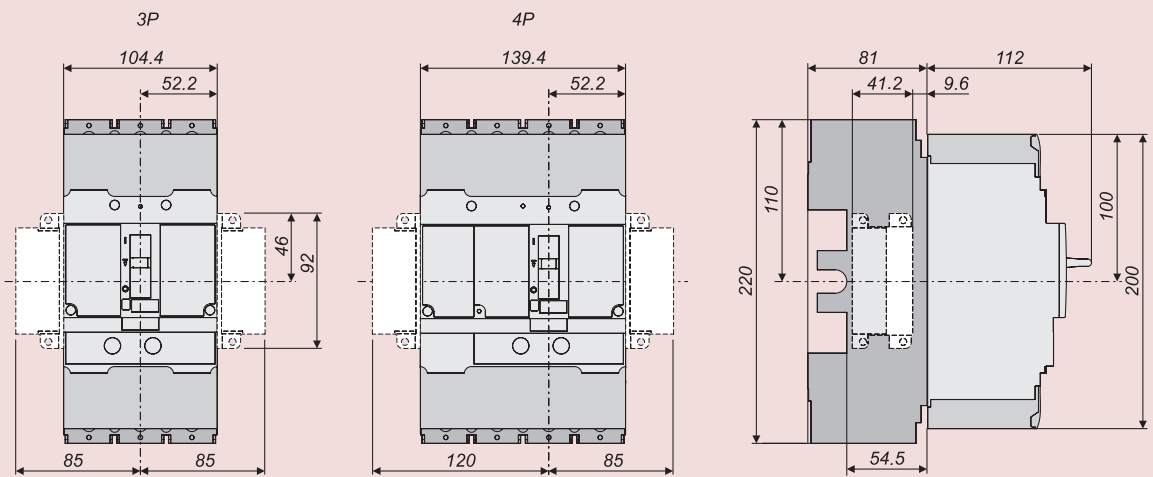


Dimensional Drawings

Plug-in version - FD63/160

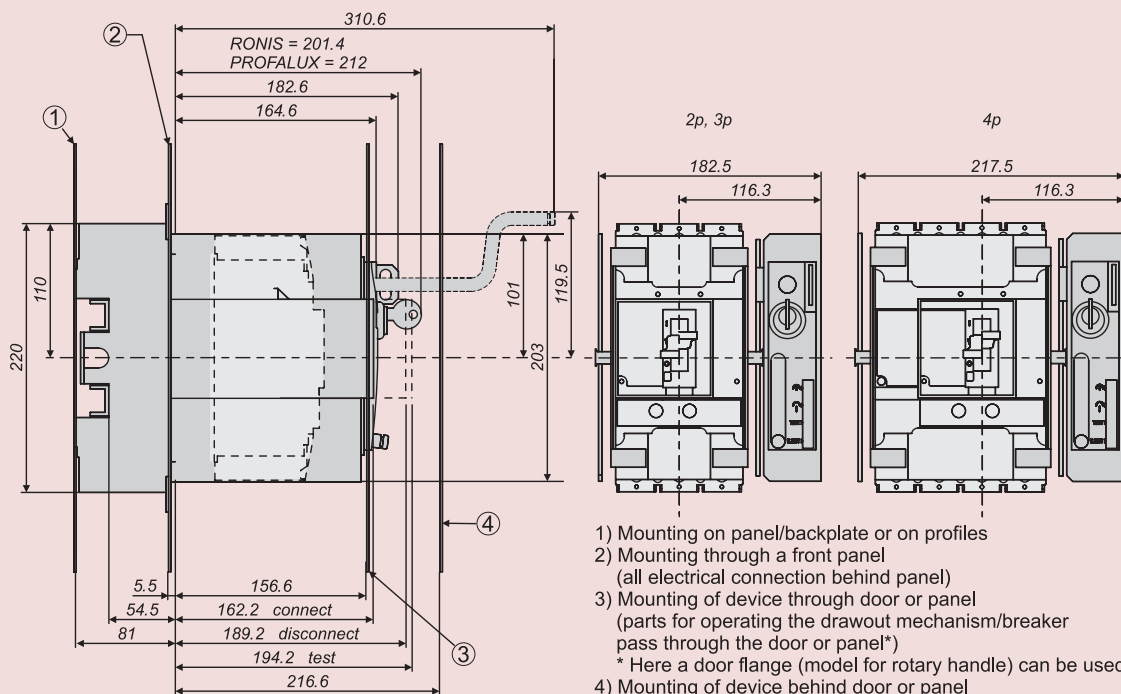


Plug-in version - FE160 and FE250



Dimensional Drawings

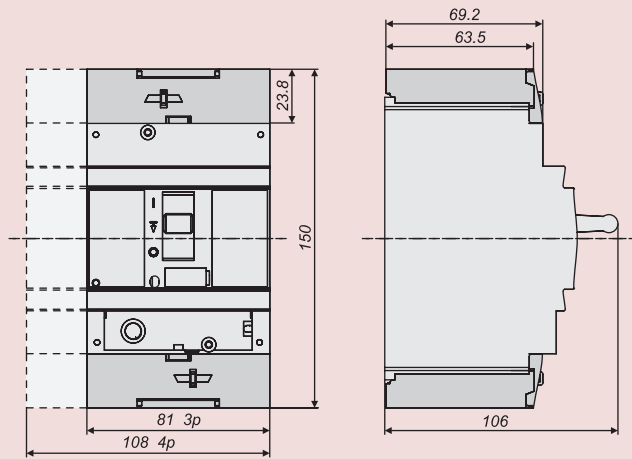
Drawout version - FE160 and FE250



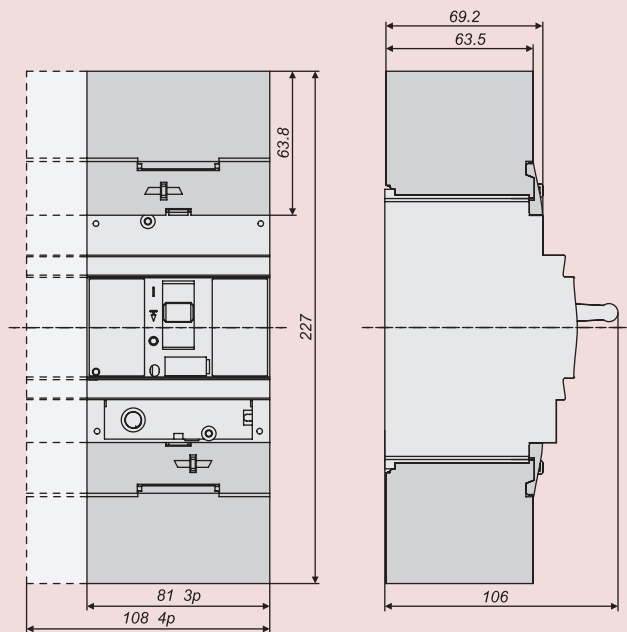
- 1) Mounting on panel/backplate or on profiles
- 2) Mounting through a front panel
(all electrical connection behind panel)
- 3) Mounting of device through door or panel
(parts for operating the drawout mechanism/breaker pass through the door or panel*)
* Here a door flange (model for rotary handle) can be used
- 4) Mounting of device behind door or panel
(all parts for operating the drawout mechanism/breaker behind the door or panel)

Dimensional Drawings

Breaker with short terminal shields - FD63/160



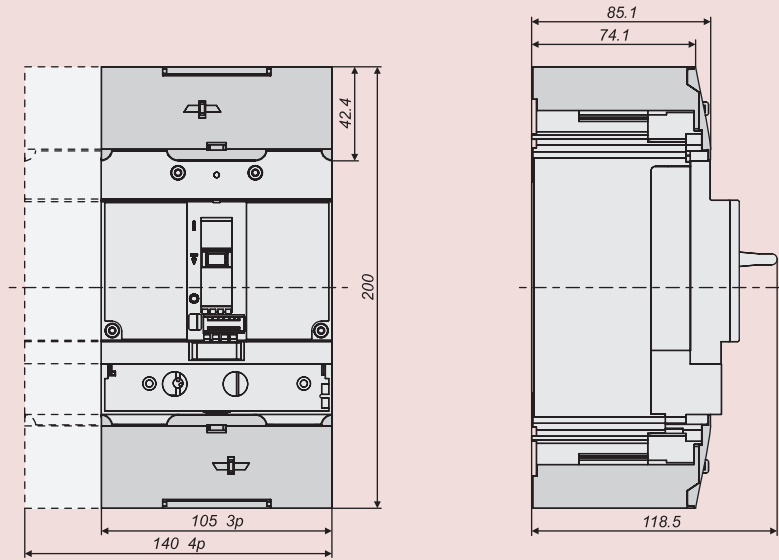
Breaker with long terminal shields - FD63/160



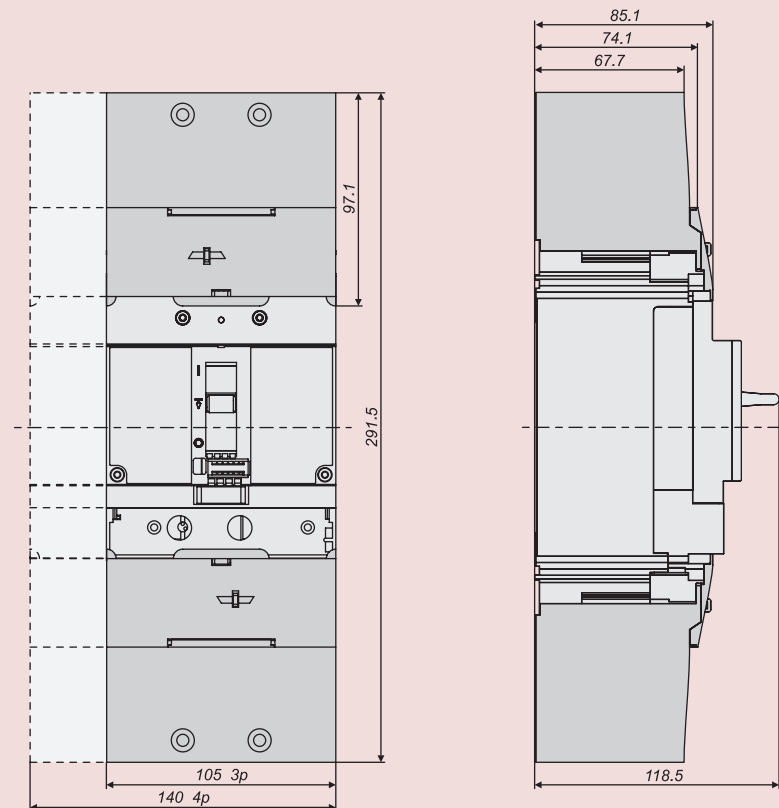
Dimensional Drawings

Dimensions

Breaker with short terminal shields - FE160 and FE250



Breaker with long terminal shields - FE160 and FE250



G

