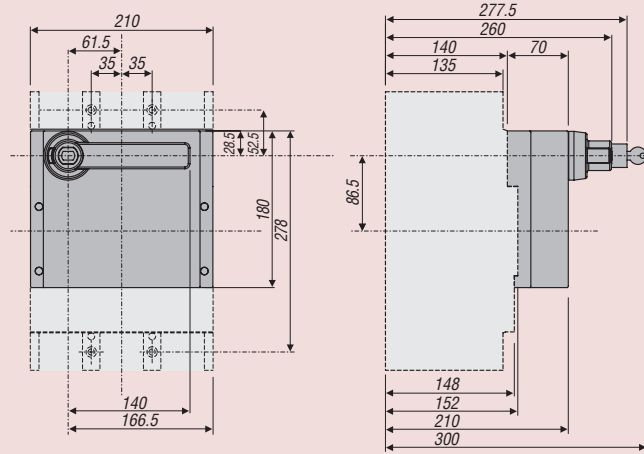
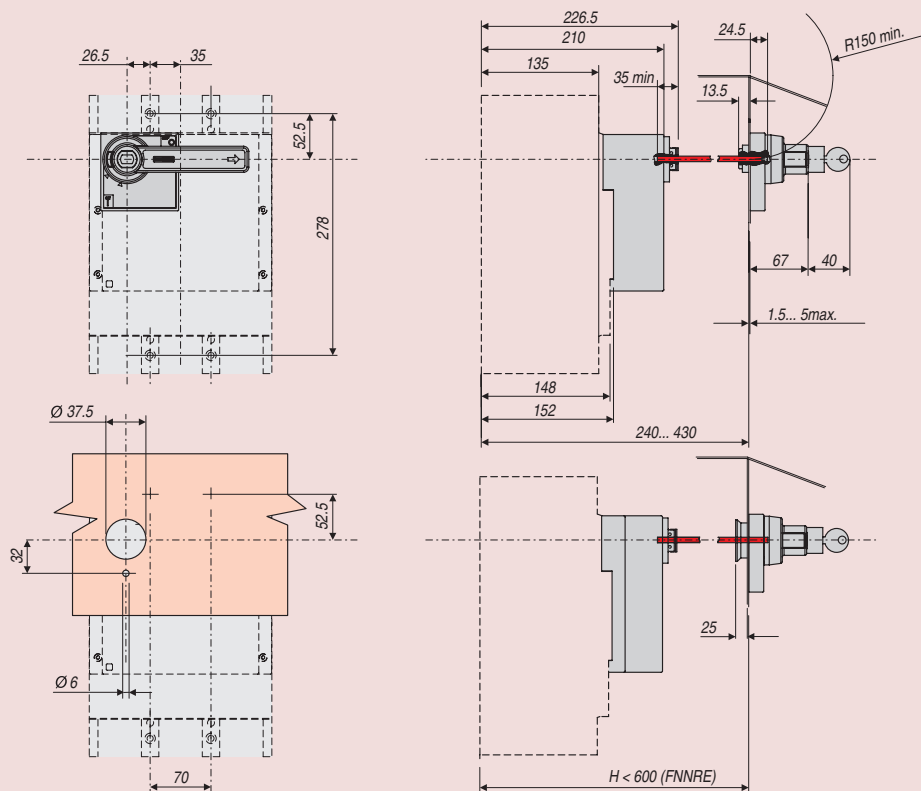


Dimensional Drawings

Rotary handle, door mounted - FK800/1250/1600

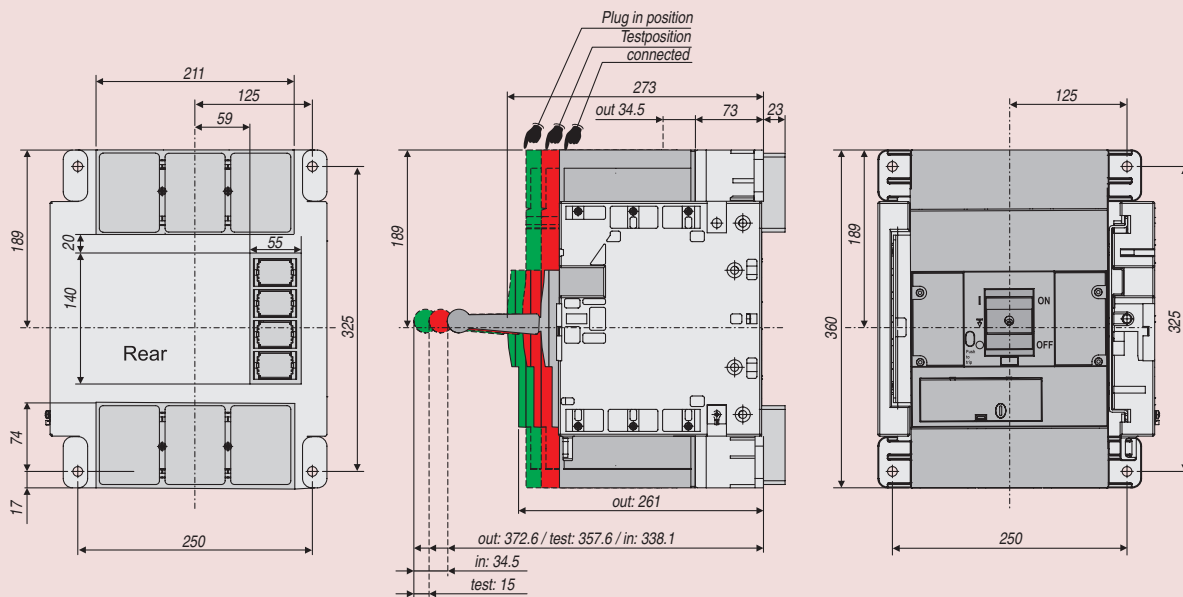


Rotary handle, breaker and through panel mounted - FK800/1250/1600

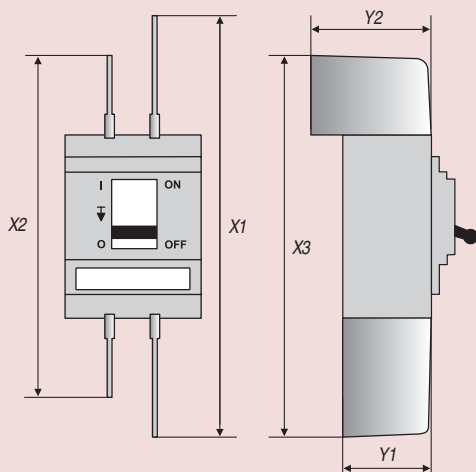


Dimensional Drawings

Drawout version - FK800/1250/1600



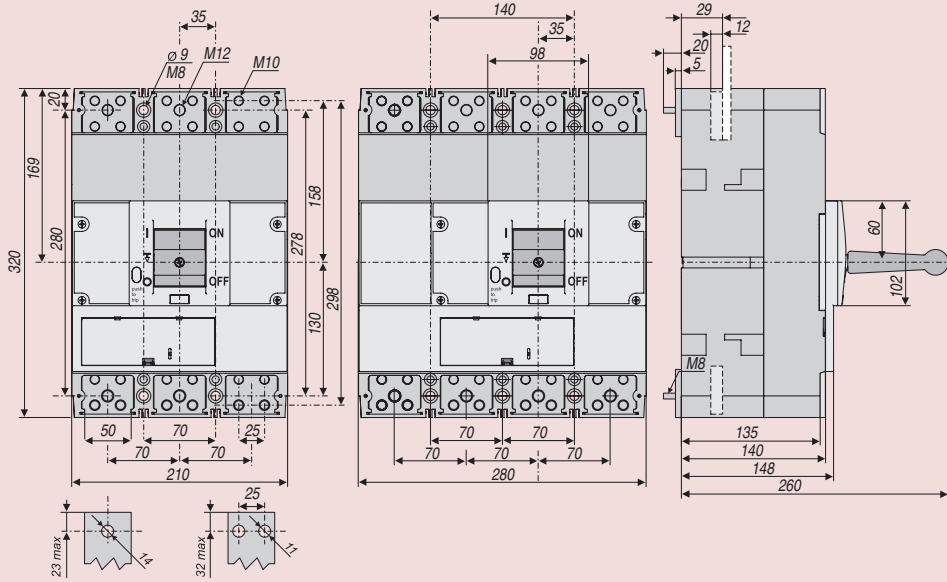
Breakers with phase separator - FG and FK frames



Dimensions		
	FG 400 FG 630	FK 800 FK 1250 FK 1600
X1	459	484
X2	-	-
X3	-	-
Y1	90	135
Y2	-	-

Dimensional Drawings

Breakers - FK800/1250/1600 fixed, front connected



Breaker with electrical operator - FK800/1250/1600

